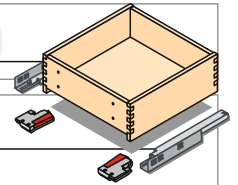


Bespoke drawers

Order form solid wood

SOLID



Inquiry Order desired date of delivery: _____ Reference: _____

Company: _____ Person in charge: _____
 Address: _____ Tel.-No.: _____
 _____ E-mail: _____

	e.g.	Pos 1	Pos 2	Pos 3	Pos 4	Pos 5	Pos 6
Quantity (Pieces)	3						
Type of drawer Premium: SE-40 / 41 / 42 / 43 / 44 / 45 / 46; Classic drawer: SE-50 / 51 / 52 / 53; inner drawer: SE-54 / 61 / 65 / 66; low-front: SE-56 / 63 / 64; pull-out: SE-72 / 73; drawer-container: SE-55 / 90; wardrobe solution ,plus': SE-20 / 21 / 22 / 29	53						
Inside cabinet width (mm) ----- <u>alternative drawer width (mm)</u>	Please specify the inside cabinet width or <u>alternatively</u> the desired width of the drawer! 862						
Inside cabinet depth (mm) ----- <u>alternative drawer depth (mm)</u>	Please specify the inside cabinet depth or <u>alternatively</u> the desired depth of the drawer! Please mention the available runner lengths (see below)! 570						
Height of drawer frame without runners (mm) 55 / 70 / 85 / 100 / 115 / 130 / 160 / 190 / 220 / 250 / 280 / 310 / 340 / 370 / 400	115						
Type of wood steamed beech [SBE] / pale beech [PBE] / maple [MA] / oak [OK] / smoaked oak [SOK] / oak 'character' [OKC] / americ. walnut [AWN] / black cherry [BC] / birch [BI] / ash [AS] / red elm [ELM] / pine [PIN]	AS						
Surface nature-lacquered [L] / oiled and waxed [O] / nature-effect-lacquered [NL] / grey-white-lacquered [GL] / grey-white-oiled [GO] / finely sanded [S]	L						
Machining borings for front fixing	Only for drawers (SE-40 / 43 / 51 / 52 / 53 / 72 / 73)	X					
Machining handles A / B / C / D / F	Only for inner drawers (SE-41 / 44 / 54 / 55 / 61 / 65 / 66)						
Bottom loose bottom							
Bottom reinforced bottom (8 mm plywood)	Default: 5 mm plywood	X					
Blum Tandem - part extension 30 kg with Blumotion soft close ----- <i>optional</i> without Blumotion soft close [N] or <u>alternatively</u> with Tip-On [T] (Push-to-open) instead of Blumotion soft close	Drawer depths: 260, 290, 340, 390, 440, 490, 540, 590*, 640* *only without Blumotion soft close available						
Blum Tandem - full extension 30 kg with Blumotion soft close ----- <i>optional</i> without Blumotion soft close [N] or <u>alternatively</u> with Tip-On [T] (Push-to-open) instead of Blumotion soft close	Drawer depths: 240, 260, 290, 310, 340, 370, 390, 410, 440, 470, 490, 510, 540, 590						
Blum Tandem - full extension 50 kg with Blumotion soft close ----- <i>alternatively</i> with Tip-On (Push-to-Open) instead of soft close	Drawer depths: 440, 490, 510, 540, 570, 590, 640, 690, 740						
Blum Movento - full extension 40 kg with Blumotion soft close ----- <i>optional</i> with Tip-On (Push-to-Open)	Drawer depths: 240*, 260, 290, 310, 340, 370, 390, 410, 440, 470, 490, 510, 540, 590 *can't be combined with Tip-On	X X					
Blum Movento - full extension 70 kg with Blumotion soft close ----- <i>optional</i> with Tip-On (Push-to-Open)	Drawer depths: 440, 490, 510, 540, 570, 590, 640, 690, 740						
Grass Dynapro-Vollauszug 40 / 50 kg with soft close ----- <i>optional</i> with Tipmatic (Push-to-Open)	Drawer depths: 240, 260, 290, 310, 340, 370, 390, 410, 440, 470, 490, 510, 540, 590, 690*, 740* *50 kg maximum load						
Grass Dynapro-Vollauszug 70 kg with soft close ----- <i>optional</i> with Tipmatic (Push-to-Open)	Drawer depths: 440, 490, 510, 540, 570, 590, 640						
Options	Please make a cross and define on the attached sheet.	X					
Laser-Logo left [L] / right [R] / both sides [B]		B					

Bespoke drawers

Order form solid wood

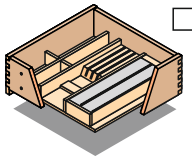
Note: On this page you can add more items to your order or inquiry.

	e.g.	Pos 7	Pos 8	Pos 9	Pos 10	Pos 11	Pos 12	Pos 13	Pos 14	Pos 15
Quantity (Pieces)	3									
Drawer type	53									
Inside cabinet width (mm)	862									
<u>alternative drawer width (mm)</u>										
Inside cabinet depth (mm)										
<u>alternative drawer depth (mm)</u>	570									
Height of drawer frame without runners (mm)	115									
Type of wood	AS									
Surface	L									
Machining borings for front fixing	X									
Machining handles										
Bottom loose bottom										
Bottom reinforced bottom (8 mm plywood)	X									
Blum Tandem - part extension 30 kg with Blumotion soft close										
<i>optional</i> without Blumotion soft close [O] or <i>alternatively</i> with Tip-On [T] (Push-to-open) statt Blumotion-Dämpfung										
Blum Tandem - full extension 30 kg with Blumotion soft close										
<i>optional</i> without Blumotion soft close [O] or <i>alternatively</i> with Tip-On [T] (Push-to-open) statt Blumotion-Dämpfung										
Blum Tandem - full extension 50 kg with Blumotion soft close										
<i>alternatively</i> with Tip-On (Push-to-Open) instead of Blumotion										
Blum Movento - full extension 40 kg with Blumotion soft close	X									
<i>optional</i> with Tip-On (Push-to-Open)	X									
Blum Movento - full extension 70 kg with Blumotion soft close										
<i>optional</i> with Tip-On (Push-to-Open)										
Grass Dynapro - full extension 40 / 50 kg with soft close										
<i>optional</i> with Tipmatic (Push-to-Open)										
Grass Dynapro-Vollauszug 70 kg with soft close										
<i>optional</i> with Tipmatic (Push-to-Open)										
Options	X									
Laser-Logo	B									

SOLID OPTIONS

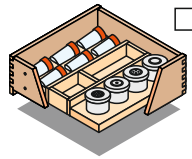
Note: Please write the item number of the drawer for which the option is intended in the column "for Pos".

Cutlery insert SmartLine*



*available for 490 and 590 mm deep drawers

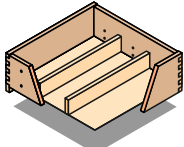
Cutlery insert ClassicLine



or
please make a cross

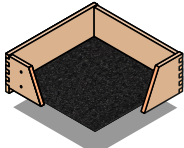
for Pos	Cutlery	Knives	Foil	Spices	Tins
e.g.	X	X	X		

Dividers and cross dividers



for Pos	Lengthwise fixed	Length. variable	Crosswise fixed	Crosswise loose	Crossed fixed	Double cross fix
e.g.				4 pcs		

Insert mats & leather bottom



for Pos	Needlefelt grey-melted	Anti-slip black	Imit. leather anthracite
e.g.	X		



The digital version of this form, preview pictures and technical drawings of all drawer types and options as well as planning aids for the installation of runners can be found here:



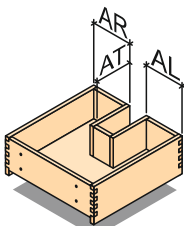
holzkoehler.de

Do you need help or advice?

Call us
+49 6656 9609-41

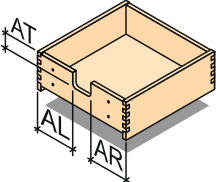
or send us an e-mail
haefele@holzkoehler.de

Siphon cut-out



for Pos	AL (distance left)	AR (distance right)	AT (depth from back)
e.g.	250	380	220

Lock milling



for Pos	AL (distance left)	AR (distance right)	AT (height from top)
z.B.	295	270	120

Comments

How to order

Please complete the order form directly on your PC or write your order by hand on a printed copy and send it to us

... via e-mail haefele@holzkoehler.de
 ... via Fax +49 6656 9609-60
 ... or as WhatsApp to +49 171 339 6367

